

1.0 Electrical Specifications

No.	Characteristics	Unit	Typical	Minimum	Maximum
1.1	Center Frequency	Mhz	2650		
1.2	Insertion Loss from 2600 to 2700 MHz	dB			1
1.3	VSWR From 2600 to 2700 MHz				1.5/1
1.4	Attenuation	At 2300 MHz	dB	40 Goal	
		At 3150 MHz	dB	40 Goal	
1.5	In/Out Impedance	Ohms	50		
1.6	Maximum input power (Average)	Watts			1
1.7	Maximum input power (Peak)	Watts			2

2.0 Environmental Specifications

2.1	Temperature range (operating)	-30°C to +85°C
2.2	Temperature range (non-operating)	-40°C to +100°C
2.3	Vibration	5 G's max.
2.4	Shock	15 G's max.
2.5	Humidity	90% Relative

THE INFORMATION CONTAINED IN THIS DRAWING IS THE SOLE PROPERTY OF MCV TECHNOLOGIES. ANY REPRODUCTION IN PART OR IN WHOLE WITHOUT THE WRITTEN PERMISSION OF MCV TECHNOLOGIES IS PROHIBITED.

MODEL :

PB44R2650S100A



MCV Technologies., Inc.
 6370 Lusk Blvd. San Diego CA 92121
 Tel. (858) 552-2008 Fax. (858) 552-2005
 sales@mcvtech.com www.mcvtech.com

SIZE
A

CAGE CODE
1WTM6

DWG NO. **83119075**

REV

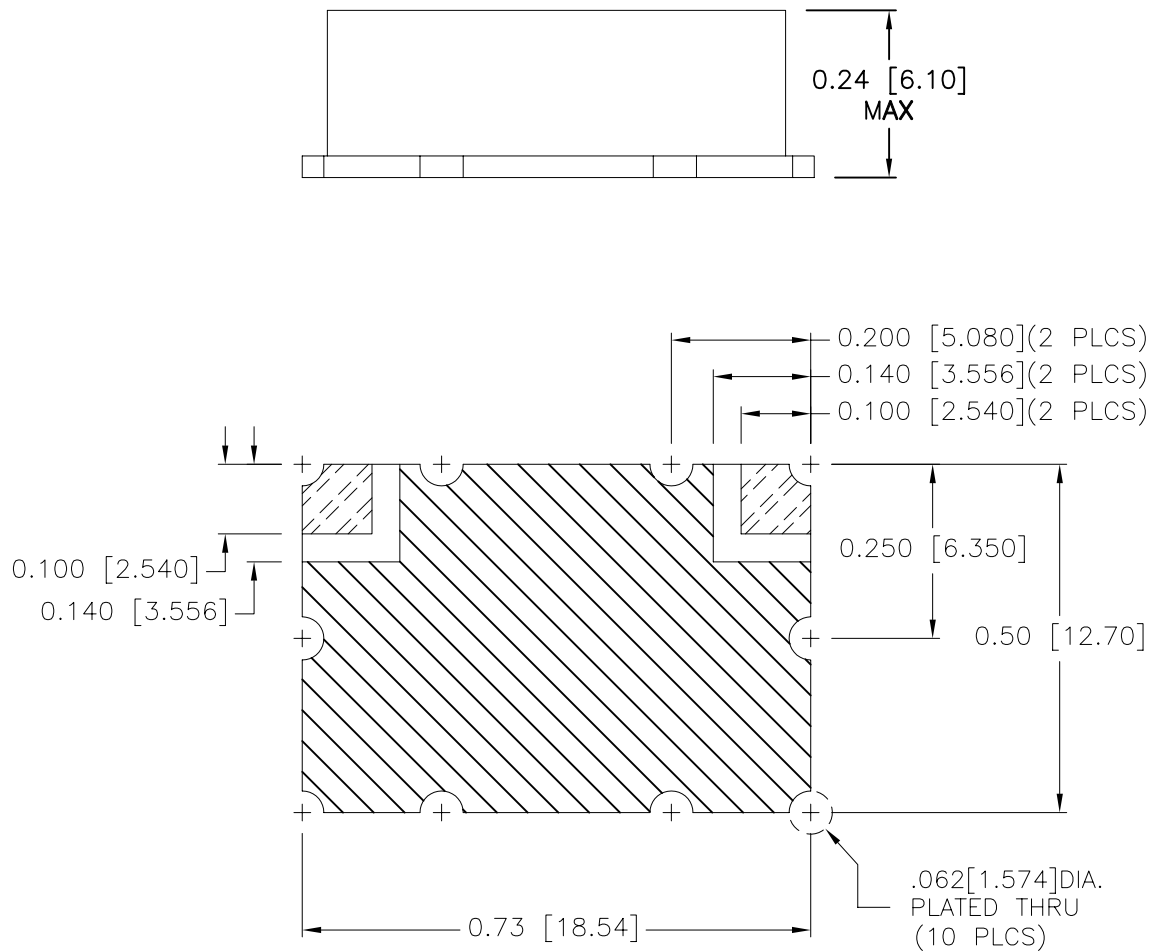
SCALE NONE

FILE

83119075-23

SHEET 2 of 3


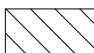
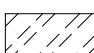
3.0 Mechanical Specifications




Material: Nickel silver/Ceramic

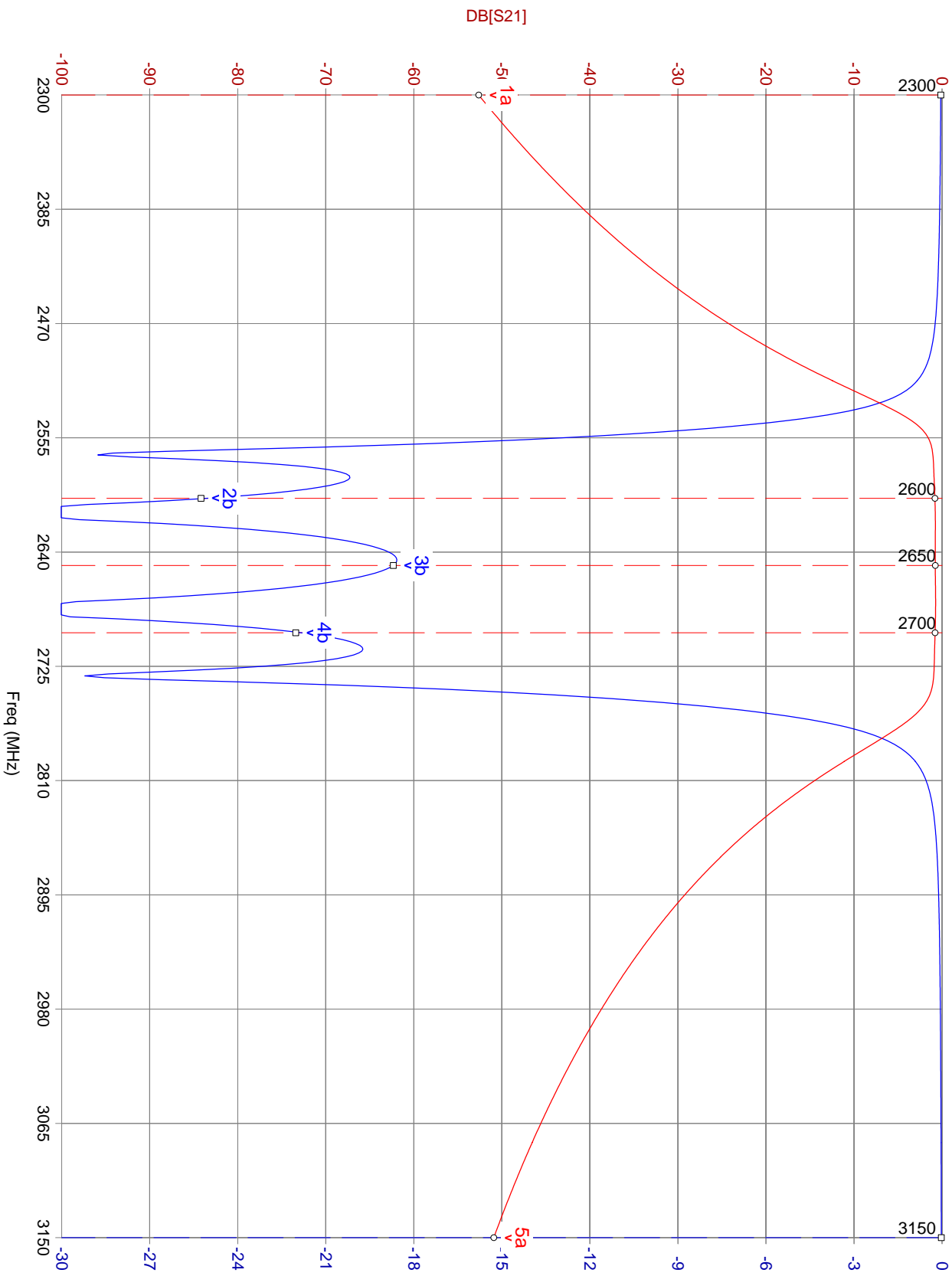
Finish: Tin/Nickel

Unless otherwise noted
 Tol. are: inch [mm]
 .XX ± 0.020 [0.508]
 .XXX ± 0.010 [0.254]

-  SOLDER MASK
SR100 (NO METAL)
-  GROUND
-  INPUT/OUTPUT

THE INFORMATION CONTAINED IN THIS DRAWING IS THE SOLE PROPERTY OF MCV TECHNOLOGIES. ANY REPRODUCTION IN PART OR IN WHOLE WITHOUT THE WRITTEN PERMISSION OF MCV TECHNOLOGIES IS PROHIBITED.		MODEL : BP44R2650S100A		
 MCV Technologies., Inc. 6370 Lusk Blvd. San Diego CA 92121 Tel. (858) 552-2008 Fax. (858) 552-2005 sales@mcvtech.com www.mcvtech.com	SIZE A	CAGE CODE 1WTM6	DWG NO. 83119075	REV
	SCALE NONE		FILE 83119075-33	SHEET 3 of 3

BP44R2650S100A



- 1) 2300 MHz
 - a) -52.637 dB
 - b) -0.043 dB
- 2) 2600 MHz
 - a) -0.808 dB
 - b) -25.252 dB
- 3) 2650 MHz
 - a) -0.769 dB
 - b) -18.7 dB
- 4) 2700 MHz
 - a) -0.787 dB
 - b) -22.025 dB
- 5) 3150 MHz
 - a) -50.916 dB
 - b) -0.025 dB

DB[S11]

DB[S21]

DB[S11]

Freq (MHz)