

Features

- Low Insertion Loss
- High Attenuation
- Compact Size
- Surface Mount

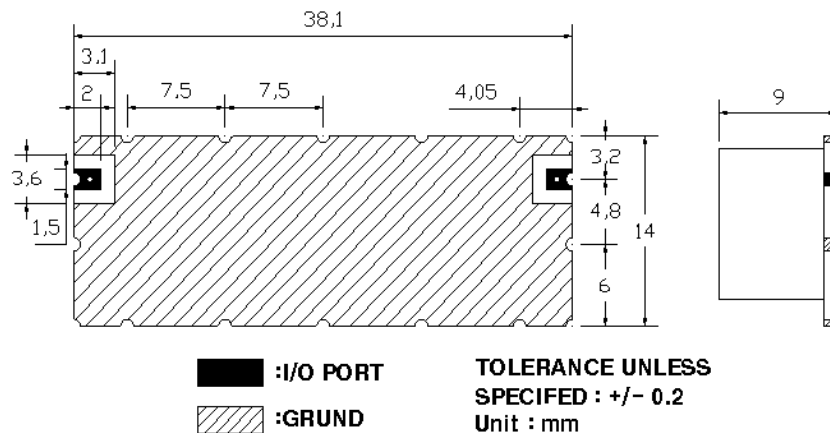
Descriptions

Surface mount discrete resonator ceramic bandpass filter developed for S band applications.

Electrical Specifications

Parameter	Unit	Specification
Center Frequency (Fc)	MHz	2800
Passband Frequency Range	MHz	2700~2900
Insertion Loss @ Fc	dB	1.8 max
Passband Flatness	dB	1.0 max
Return Loss(VSWR) in Passband	dB	15 min
Attenuation	dB	13 min @ 2670, 2930 MHz
		30 min @ 2630, 2970MHz
Operating Input Power	Watts	3.0 CW max
IN/OUT Impedance	Ohm	50
Operating Temperature	°C	-30 ~ +85
Dimensions (Excluding Connectors)	Inch	38.1 x 14 x 9.0 (L x W x H)
RoHS	-	Yes

Mechanical Drawing



Electrical Response

