

Features

- Low insertion loss
- High Attenuation
- Compact Size
- RF Pin Mount

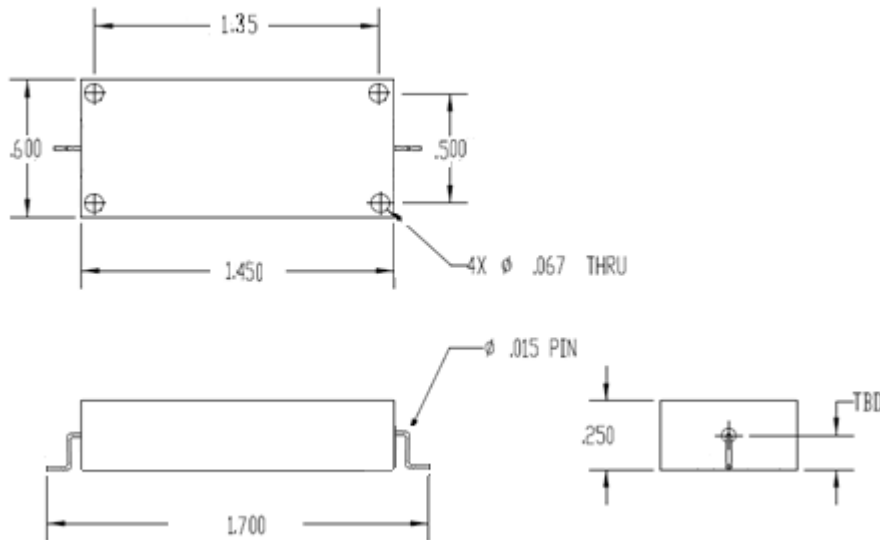
Descriptions

RF pin surface mount cavity bandpass filter developed for C&X band applications.

Electrical Specifications

Parameter	Unit	Specification
Center Frequency	MHz	8000
3dB Passband Frequency Range	MHz	300(7850 ~ 8150) min
Insertion Loss @Fc	dB	1.75 max
Return Loss (VSWR) @ Fc	dB	15 min
Attenuation at Reject Band	dB	70 @ 6900 MHz, 9000MHz
In/Out Impedance	Ohm	50
Input Average Power	Watt	1
Operating Temperature	°C	-40 ~ +85
Dimensions	inch	1.45 x 0.6 x 0.25 (L x W x H)

Mechanical Drawing



Electrical Response

