

Features

- Low Insertion Loss
- High Attenuation
- Compact Size
- RF Pin Mount

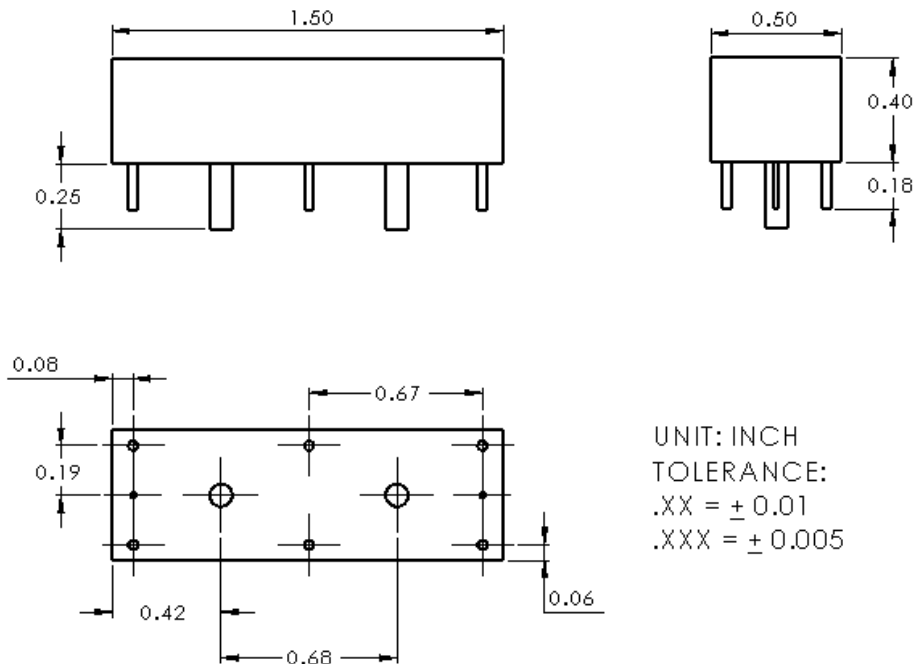
Descriptions

RF Pin mount LC bandpass filter developed for VHF band applications.

Electrical Specifications

Parameter	Unit	Specification
Center Frequency (Fc)	MHz	220
3dB Passband Frequency Range	MHz	214.5 ~ 225.5
Insertion Loss @ Fc	dB	8.0 max
Return Loss(VSWR) @ Fc	dB	1.25:1 max
Attenuation	dB	80 min @ 240MHz
		40 min @ 208MHz
		40 min @ 232MHz
IN/OUT Impedance	Ohm	50
Operating Temperature	°C	-30 ~ +70
Dimensions (Excluding Connectors)	inch	1.5 x 0.5 x 0.4 (L x W x H)
RoHS	-	Yes

Mechanical Drawing



Electrical Response

