

## Features

- Low Insertion Loss
- High Attenuation
- Compact Size
- RF Pin Mount

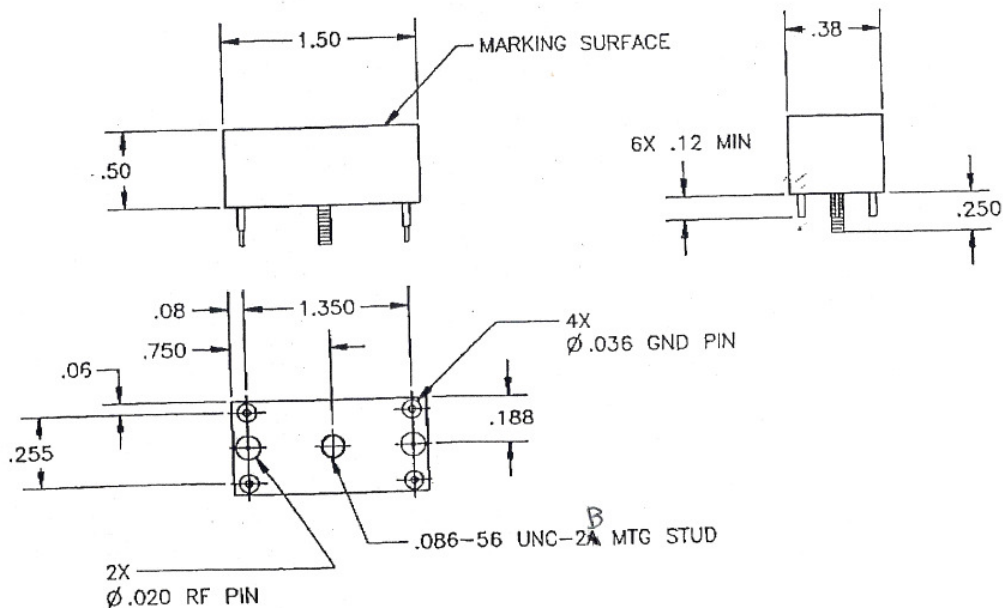
## Descriptions

RF Pin mount LC bandpass filter developed for UHF band applications.

## Electrical Specifications

Parameter	Unit	Specification
Center Frequency (Fc)	MHz	480
3dB Passband Frequency Range	MHz	467 ~ 493 min
Insertion Loss @ Fc	dB	5.0 max
Return Loss(VSWR) @ Fc	dB	1.25:1 max
Attenuation	dB	50 min @ 420MHz
		50 min @ 540MHz
		60 min @ 360, 600MHz
		60 min @ 270, 690MHz
IN/OUT Impedance	Ohm	50
Operating Temperature	°C	-30 ~ +70
Dimensions (Excluding Connectors)	inch	1.5 x 0.38 x 0.5 (L x W x H)
RoHS	-	Yes

## Mechanical Drawing



## Electrical Response

