

Product Specifications



DC BLOCK

- **Broadband - Covers 380 MHz to 2700 MHz**
- **Low Insertion Loss**
- **Low PIM Device, -160 dBc**
- **IBWave Supported**

Electrical Specifications

FREQUENCY RANGE	380 - 2700 MHz
INSERTION LOSS	0.3 dB Max.
RETURN LOSS	20 dB Min.
POWER RATING	500W Avg. 5kW Peak Any Port
PASSIVE INTERMODS	-155 dBc
DC VOLTAGE RATING	3.5 kV (6 kV Test Voltage)

ClearComm Model Number	DC BLOCK CONFIGURATION
CCDB-101	Inner Conductor
CCDB-102	Outer Conductor
CCDB-103	Inner and Outer Conductors

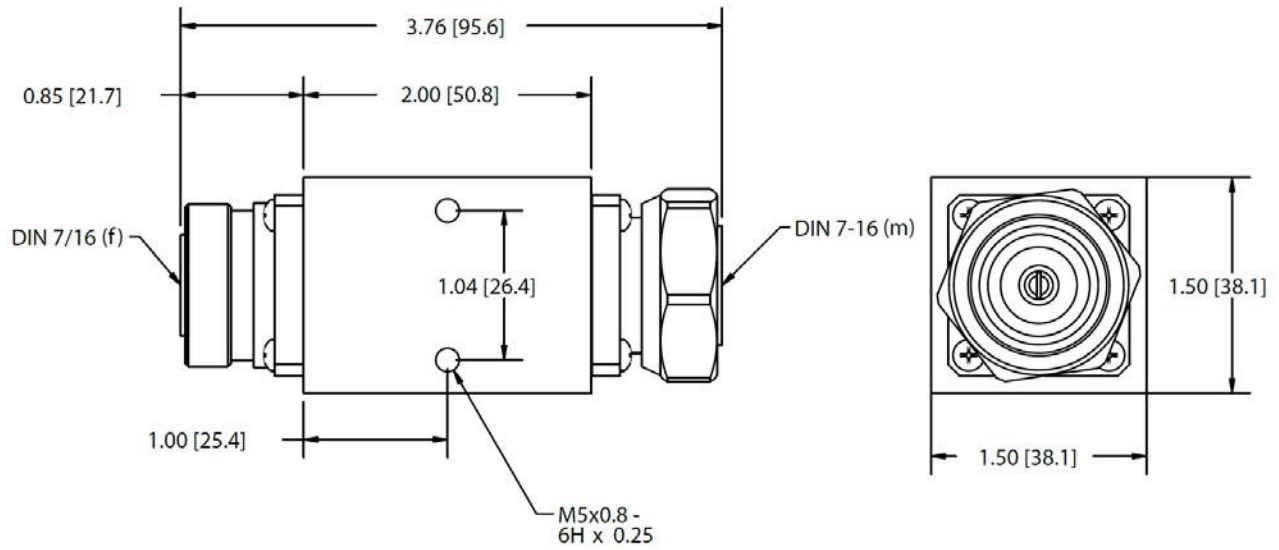
Environmental Specifications

TEMPERATURE RANGE	-20 to +65°C Operating
WEATHERIZATION	IP-65

Mechanical Specifications

CONNECTORS	TYPE N, 7/16 DIN, 4.3-10 Connectors are generally Male / Female
DIMENSIONS	See Outline
WEIGHT	0.8LBS

Product Specifications



OUTLINE DRAWING - DC BLOCK