

## Features

- Low Insertion Loss
- High Power Handling
- Low PIM
- Compact Size
- N-Connector

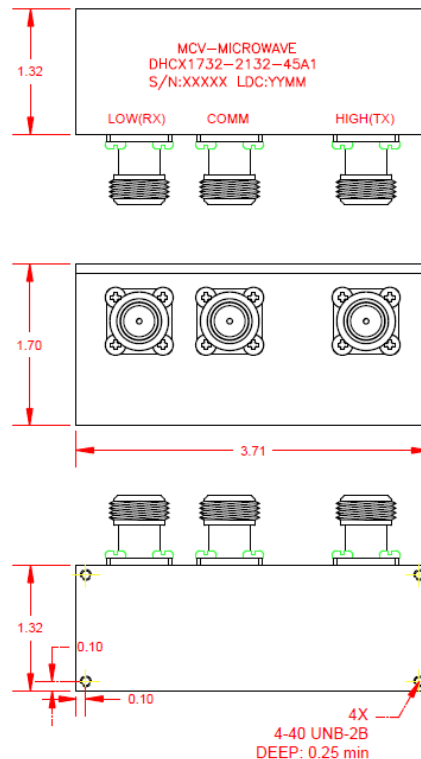
## Descriptions

N-connector, high power and low PIM ceramic duplexer developed for LTE band 4 applications.

## Electrical Specifications

Parameter	Unit	Specification	
		HIGH (RX)	LOW (TX)
Center Frequency	MHz	2132	1732
Band Width	MHz	$F_c \pm 22.5$	$F_c \pm 22.5$
Insertion Loss in BW	dB	1.0 max	1.0 max
Ripple in BW	dB	0.8 max	0.8 max
Return Loss	dB	18.0 min	18.0 min
Attenuation	dB	50 min @ 1710 ~ 1755MHz	50 min @ 2110 ~ 2155MHz
Input Power	Watt	60CW max	
PIM	dBc	<-153	
IN/OUT Impedance	$\Omega$	50	
Operating Temp. Range	$^{\circ}\text{C}$	-30 ~ +80	
Dimensions	inch	3.71 x 1.32 x 1.70 (L x W x H)	

## Mechanical Drawing



Electrical Response

