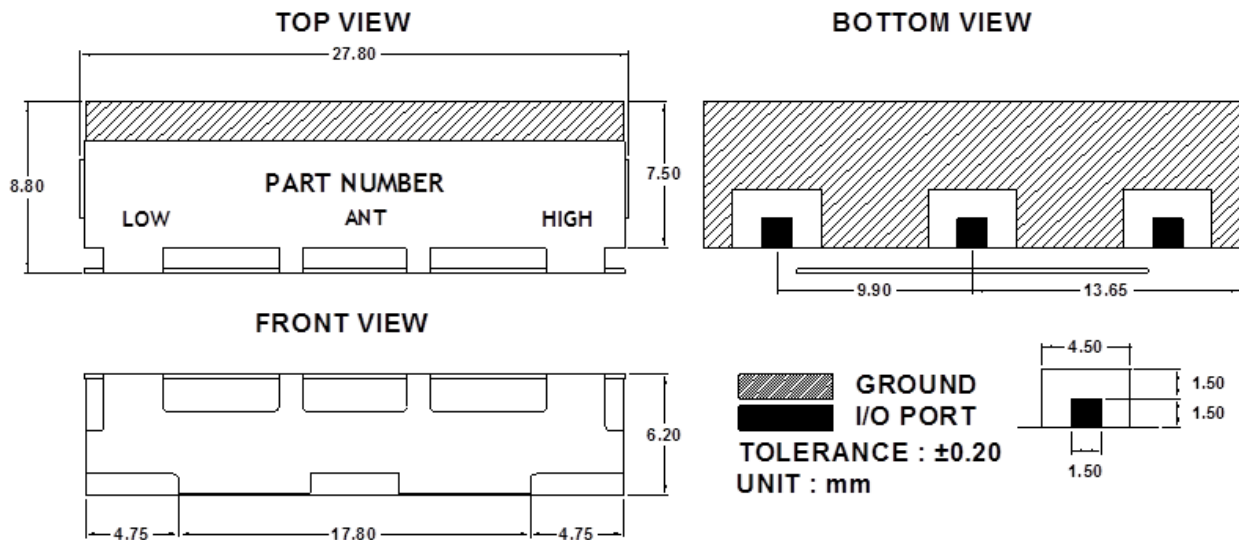


Electrical Specification

Item	Parameter	Unit	Specification	
			Low	High
1	Center Frequency	MHz	2050	2250
2	Frequency Range	MHz	2000~2100	2200~2300
3	Passband Bandwidth	MHz	100	100
4	Insertion Loss in Passband	dB	1.0 max	1.0 max
5	Ripple in Passband	dB	0.5 max	0.5 max
6	Return Loss in Passband	dB	14.0 min	14.0 min
7	Attenuation	dB	25 min@1750~1850MHz 25 min@2200~2300MHz	43 min@1750~1850MHz 43 min@2000~2100MHz
8	AVG input power	Watts	2 max	
9	IN/OUT Impedance	Ω	50	
10	Operating Temp. Range	$^{\circ}\text{C}$	0 ~ +50	

Dimensions (Unit: mm)




Simulations

