



Monolithic Block Filter Specification

MFG Part No: DNM3437-3537-25C1
Date: 04/11/06

Electrical Specifications

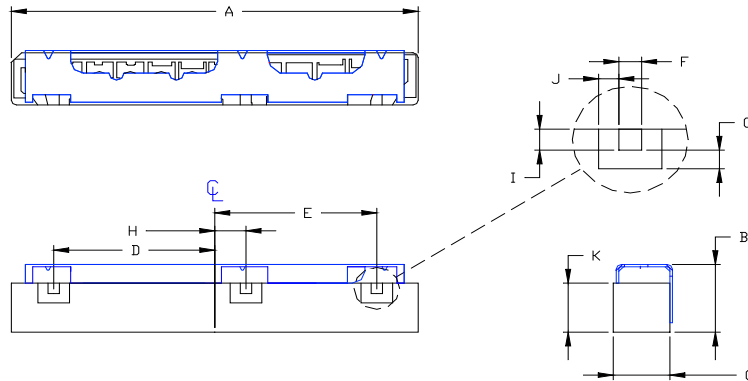
Parameter	Frequency MHz	Typical @ 25°C	Specification @ 25°C	Spec over -40°C to +70°C
Low Band Response (S12)				
Passband Iloss	3425 - 3450	-2.00	-2.70	-3.00
Passband Ripple	3425 - 3450	0.20	0.40	0.50
Passband Return Loss @ Port 1	3425 - 3450	-16.00	-14.00	-14.00
Passband Return Loss @ Port 2	3425 - 3450	-16.00	-14.00	-14.00
Attenuation	0.1 - 2475	-65.00	-35.00	-35.00
	2770 - 2971	-53.00	-45.00	-45.00
	3097 - 3211	-51.00	-40.00	-40.00
	3525 - 3550	-60.00	-50.00	-50.00
	3975 - 4675	-38.00	-35.00	-35.00
	4675 - 4975	-30.00	-25.00	-25.00
High Band Response (S31)				
Passband Iloss	3525 - 3550	-2.20	-2.70	-3.00
Passband Ripple	3525 - 3550	0.20	0.40	0.50
Passband Return Loss @ Port 1	3525 - 3550	-16.00	-14.00	-14.00
Passband Return Loss @ Port 3	3525 - 3550	-16.00	-14.00	-14.00
Attenuation	0.1 - 2475	-50.00	-35.00	-35.00
	2824 - 3067	-37.00	-35.00	-35.00
	3403 - 3430	-50.00	-30.00	-30.00
	3425 - 3450	-53.00	-50.00	-50.00
	3975 - 4400	-37.00	-35.00	-35.00
	4400 - 4975	-23.00	-20.00	-20.00
Isolation (S23)				
Rejection @ Low Band	3425 - 3450	-55.00	-50.00	-50.00
Rejection @ High Band	3525 - 3550	-55.00	-50.00	-50.00
Power into any port		2 Watt max		

Note: Supplier shall test each filter to the critical electrical specifications of the above table. Any subsequent audits may deviate from in value due to measurement repeatability among different test systems. Such deviations shall not exceed the following limits:

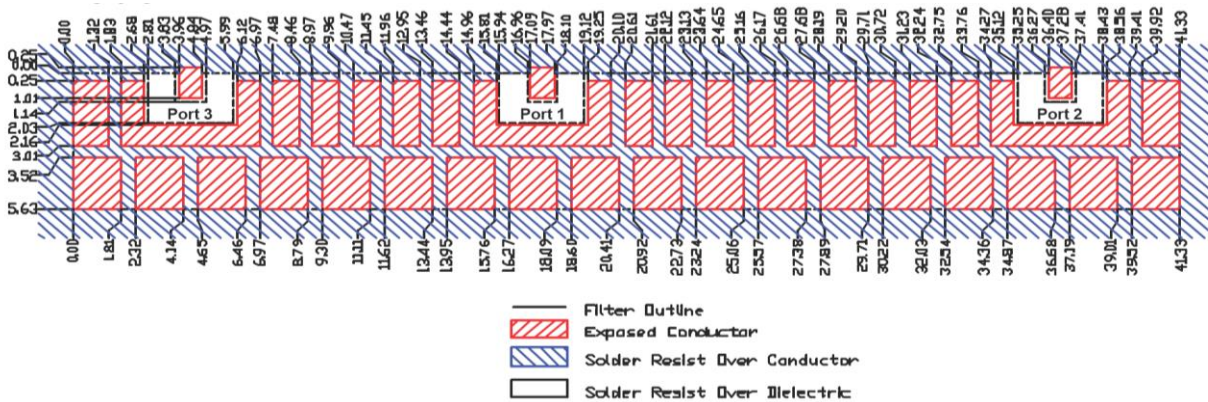
Specification Allowance
 Insertion Loss 0.1 dB
 Return Loss 1.0 dB
 Stopbands 1.0 dB

Mechanical Drawing

Dim	Nominal (mm)	Tolerance (mm) +/- or max
A	41.33	Max.
B	7.8	Max.
C	6.3	Max.
D	16.17	0.13
E	16.27	0.13
F	1.14	0.13
G	1.02	0.13
H	3.14	0.13
I	1.14	0.13
J	1.02	0.13
K	5.63	Max.



PCB Layout





Electrical response

