

Features

- Low Insertion Loss
- High Attenuation
- Compact Size
- Surface Mount

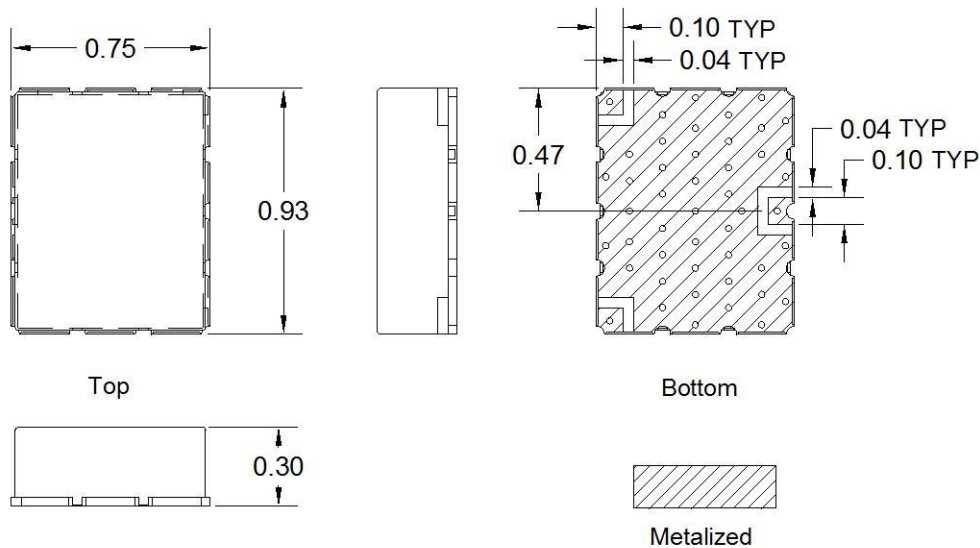
Descriptions

Surface mount LC diplexer developed for UHF/VHF band applications.

Electrical Specifications:

Parameter	Unit	Specification	
		LOW	HIGH
Center Frequency, Fc:	MHz	150	445
Passband Frequency Range	MHz	120 ~ 180	415 ~ 475
Passband Insertion Loss	dB	2.0 max	2.5 max
Passband Return Loss (VSWR)	dB	14 min (1.5:1)	14 min (1.5:1)
Isolation in adjacent Band	dB	40 min @ 415 to 475 MHz	40 min @ 120 to 180 MHz
In/Out Impedance	Ohm	50	
Operating Temperature	°C	-45 ~ +85	
Dimensions (+/-0.01)	inch	0.75 x 0.93 x 0.32 max (L x W x H)	
RoHS	-	Yes	

Mechanical Drawing:



Electrical Response:

