



Specifications

GPS Gen6 Ceramic Duplexer

Design	Engineering	Approval
CYK	MHJ	ECL

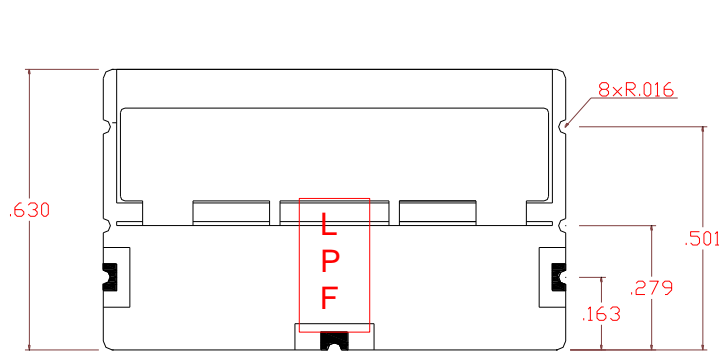
Customer:	Date: 02-05-13 rev.1	P/N: DPX1208-1567-98A1
------------------	-----------------------------	-------------------------------

Rev. Note: Duplexer Pin-out: Pin 1 – Input Pin 2 – High (1568 MHz) Pin 3 – Low (1208 MHz)

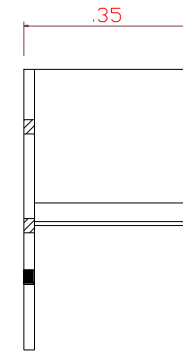
Electrical Specifications

No.	Parameters	Unit	Specifications	
			Low	High
1	Center Frequency	MHz	1208	1567.5
2	Bandwidth	MHz	$F_c \pm 49$ (1159~1257 MHz)	$F_c \pm 47.5$ (1520~1615 MHz)
3	Insertion Loss at F_c	dB	0.8 max. / 0.5 typ.	0.8 max. / 0.6 typ.
4	Passband Flatness	dB	0.3 max.	0.3 max.
5	3 dB Bandwidth	MHz	155 typ. / 165 max.	168 typ. / 175 max.
6	Return Loss in BW	dB	15.0 min.	15.0 min.
7	Attenuation	dB	30 min. @ 1520~1615MHz	30 min. @ 1159~1257 MHz
			15 min. @ 2500~4000 MHz	
8	Input Power	Watt	3.0 max.	
9	IN/OUT Impedance	Ω	50	
10	Operating Temp. Range	$^{\circ}\text{C}$	-40 ~ +85	
11	RoHS	-	Yes	

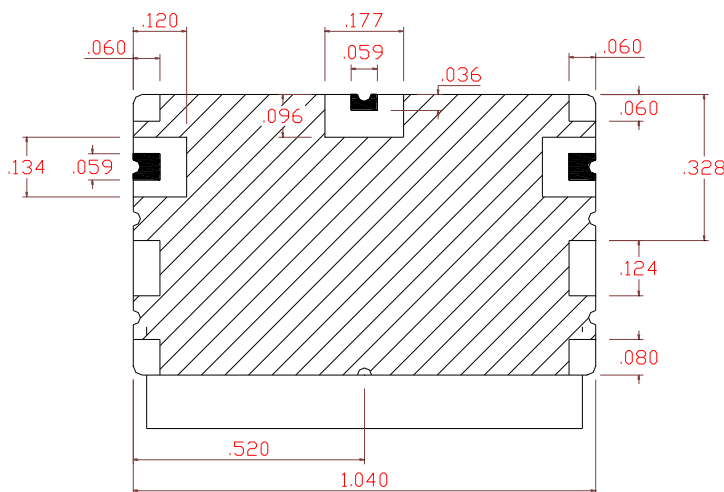
Dimensions (Unit: inch)



Top Side



Right Side



Bottom Side

I/O/ANT Port
 Ground

Tolerance unless otherwise specified : ± 0.2

Tape & Reel Specifications

