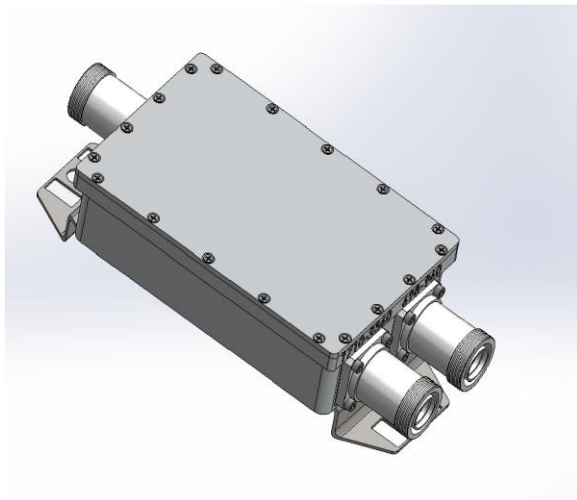


Product Specifications



CCDP-802-1W

**Wideband Diplexer
(i.e. Crossband Coupler)**

**Low Loss Combining
Connector Options – 4310 / DIN
Several Mounting Options**

Electrical Specifications

PASSBAND	
COMMON PORT	698 - 2360 MHz
LOW BAND PORT	698 – 960 MHz
HIGH BAND PORT	1710 – 2360 MHz
PASSBAND INSERTION LOSS	0.12 dB Max.
PASSBAND RETURN LOSS	24 dB Min.
PORT TO PORT ISOLATION	50 dB Min.
PASSIVE INTERMODS	-153 dBc.
POWER HANDLING	200 W CW / Avg. Per Port 2000 W Peak

Environmental Specifications

OPERATING TEMPERATURE	-50° to +60°C Operating
ENVIRONMENTAL	Per ETS-300
WEATHERIZATION	Per IP-68
LIGHTENING PROTECTION	Per EN / IEC 61000 4-5, Level 4

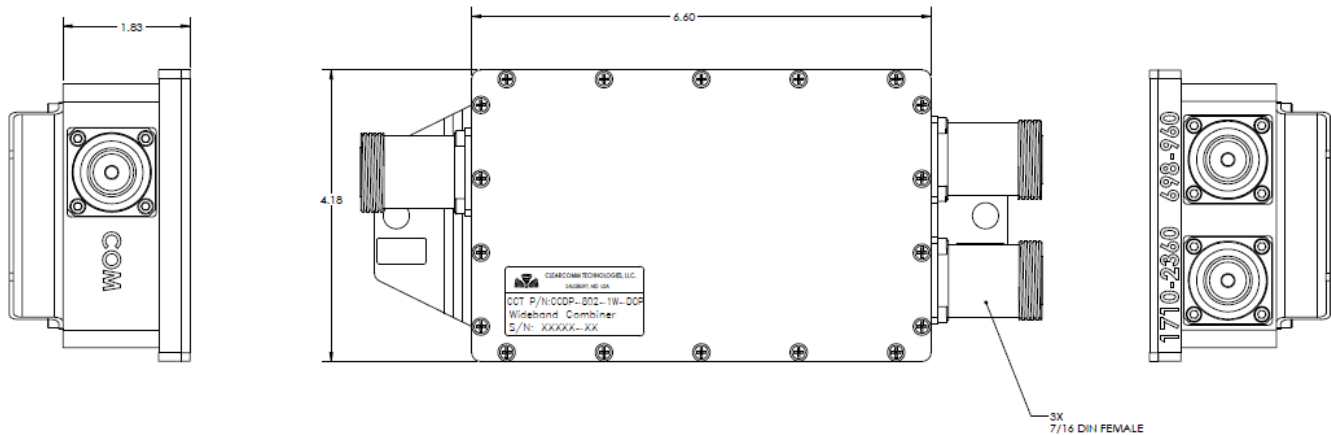
Product Specifications

Mechanical Specifications

CONNECTORS	7/16 DIN Long Neck Optional - 4.3/10.0 MiniDIN (Long Neck)
SIZE	6.9" x 4.8 x 1.8" excluding connectors
WEIGHT	Approx. 6.0 lbs

Available Options

DC Pass	Thru Low Band, High Band or both ports to Common. Rated AISG 2.0
Connectors	4.3/10.0, 4.1/9.5, Type 'N'
Mounting	Tower Mount Brackets, Cable Tray, Ladder or Rack Mount Options Available



OUTLINE DRAWING