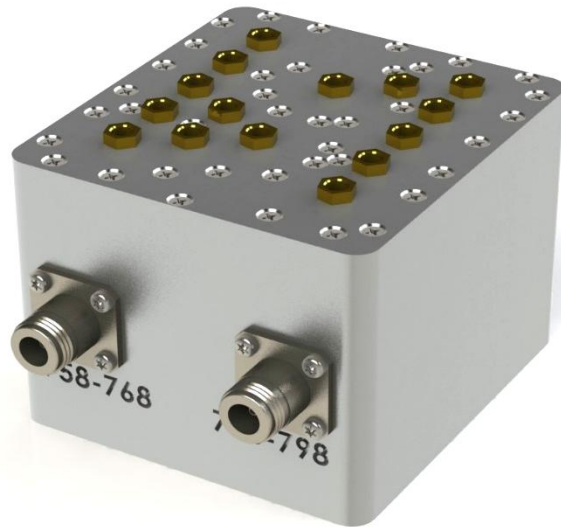


Product Specification



CCDP-886

Duplexer, FirstNet Band

Small Footprint

Covers LTE Band 14

Low Loss / High Isolation Design

Electrical Specifications

PASSBAND

COMMON	758 - 798 MHz
FORWARD	758 – 768 MHz
REVERSE	788 - 798 MHz

PASSBAND INSERTION LOSS 1.2 dB Max.

PASSBAND RETURN LOSS 20 dB Min.

PORT TO PORT ISOLATION 60 dB Min.

PASSIVE INTERMODS -153 dBc

POWER HANDLING 50 W CW / Avg.

Environmental Specifications

OPERATING TEMPERATURE -40° to +65°C Operating

ENVIRONMENTAL Per ETS-300

WEATHERIZATION Per IP-65 (IP-67 Optional)

LIGHTNING PROTECTION Per EN / IEC 61000 4-5, Level 4

MCV Microwave
Tel: +1(302)877-8079
Web: www.mcv-microwave.com

MCV Microwave
Clearly the Choice!

11307 Trussum Pond Road
Laurel, DE 19956
[Mailto: sales@mcv-microwave.com](mailto:sales@mcv-microwave.com)

Product Specification



Mechanical Specifications

CONNECTORS

Type 'N' Female

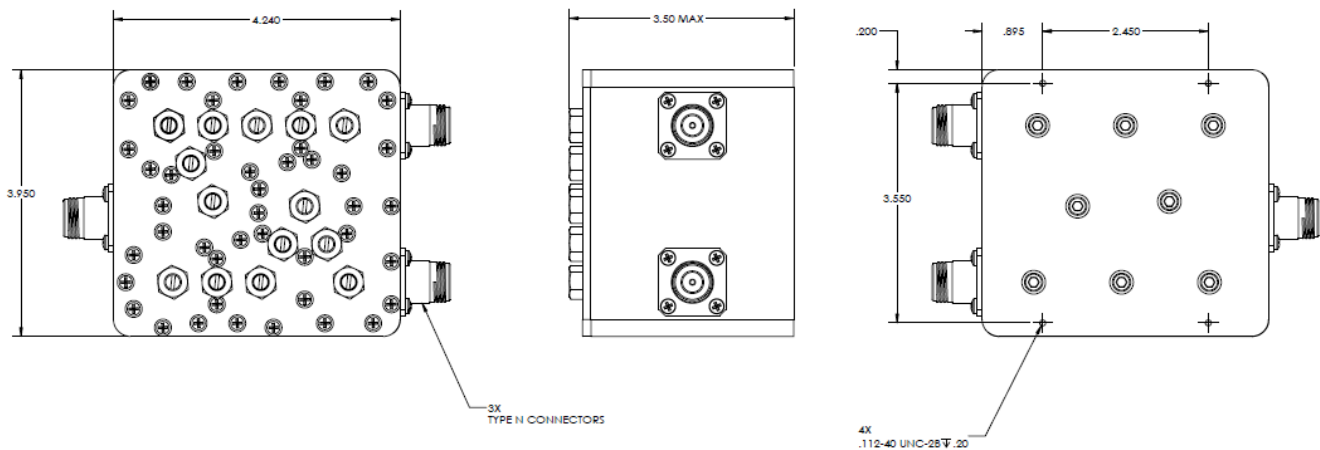
Optional: 4.3/10.0, 7/16 DIN

SIZE

4.24 x 3.95 x 3.5" Excluding connectors.

WEIGHT

Approx. 3 lbs



OUTLINE DRAWING