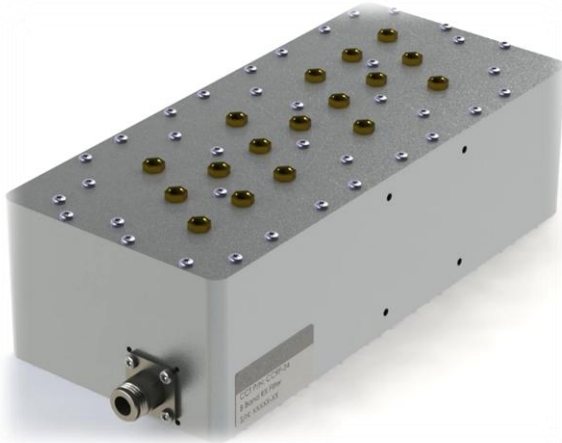


# Product Specification



## CCRF-33

### 850 A Band Receive Filter

**Covers 824 to 846.5 MHz**

**High Transmit Band Rejection**

**Low Loss Design**

---

## Electrical Specifications

FREQUENCY RANGE	824 – 846.5 MHz
INSERTION LOSS	0.9 dB Max.
INSERTION LOSS VARIATION	0.6 dB Max.
RETURN LOSS	18 dB Min.
REJECTION 851 – 1000 MHz.	61 dB Min.

---

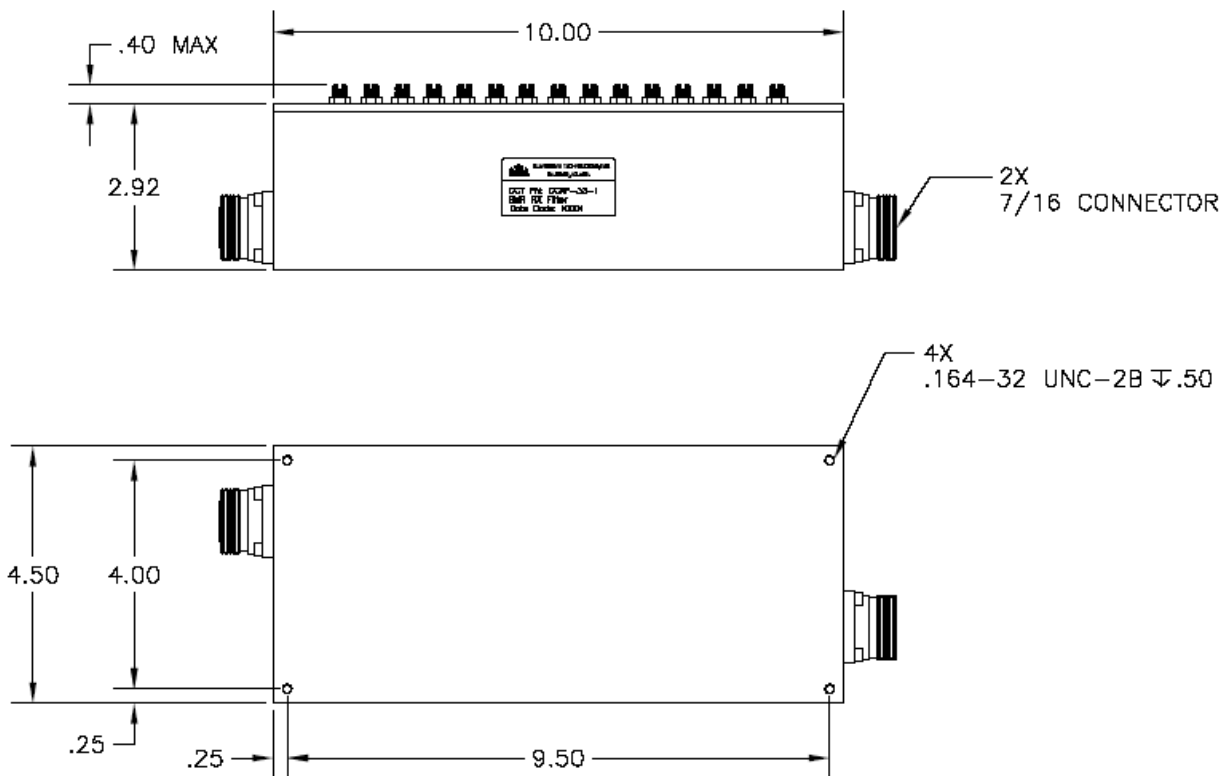
## Environmental Specifications

OPERATING TEMPERATURE	0° to +60°C Operating
ENVIRONMENTAL	Per ETS-300
WEATHERIZATION	Per IP-65 (Indoor)
LIGHTENING PROTECTION	Per EN / IEC 61000 4-5, Level 4

# Product Specification

## Mechanical Specifications

CONNECTORS	7/16 DIN Female Optional: 4.3/10.0, Type 'N'
SIZE	10.0" x 4.5" x 3.5"
WEIGHT	Approx. 12 lbs.



OUTLINE DRAWING