

Features

- Low Insertion Loss
- High Attenuation
- High Q
- High Power

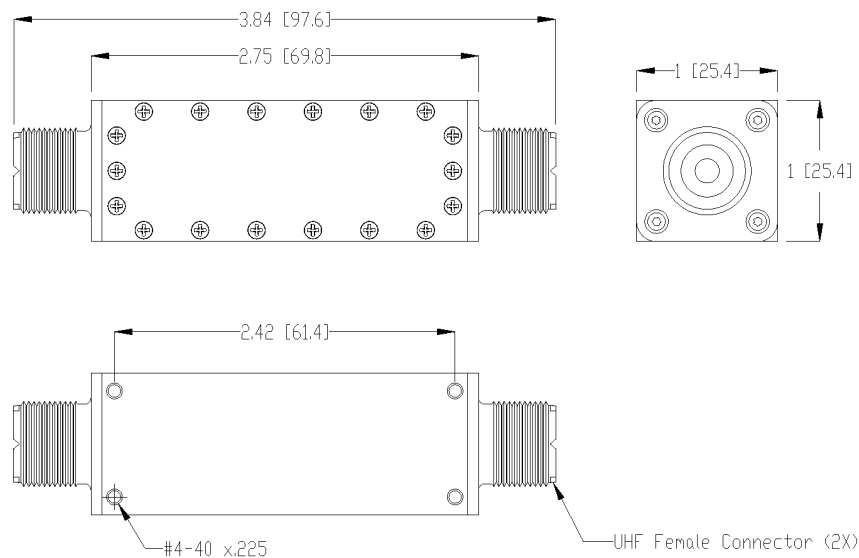
Descriptions

UHF, lumped element lowpass filter with UHF connectors.

Electrical Specifications

Parameter	Unit	Specification
Cut-Off Frequency (Fc)	MHz	520
Passband Frequency Range	MHz	DC-520 min
Insertion Loss in Passband	dB	0.5 max
Ripple in Passband	dB	0.5 max
Return Loss in Passband	dB	16.0 min
Attenuation at Reject Band	dBc	60 @ 1120-1675
In/Out Impedance	Ohm	50
Operating Input Power	Watts	60 Min.
Operating Temperature	°C	-20 to +70
Dimensions	mm	2.75 x 25.4 x 25.4 (L x W x H)
Connectors	-	UHF (Female)

Mechanical Drawing (Preliminary)



Electrical Response

