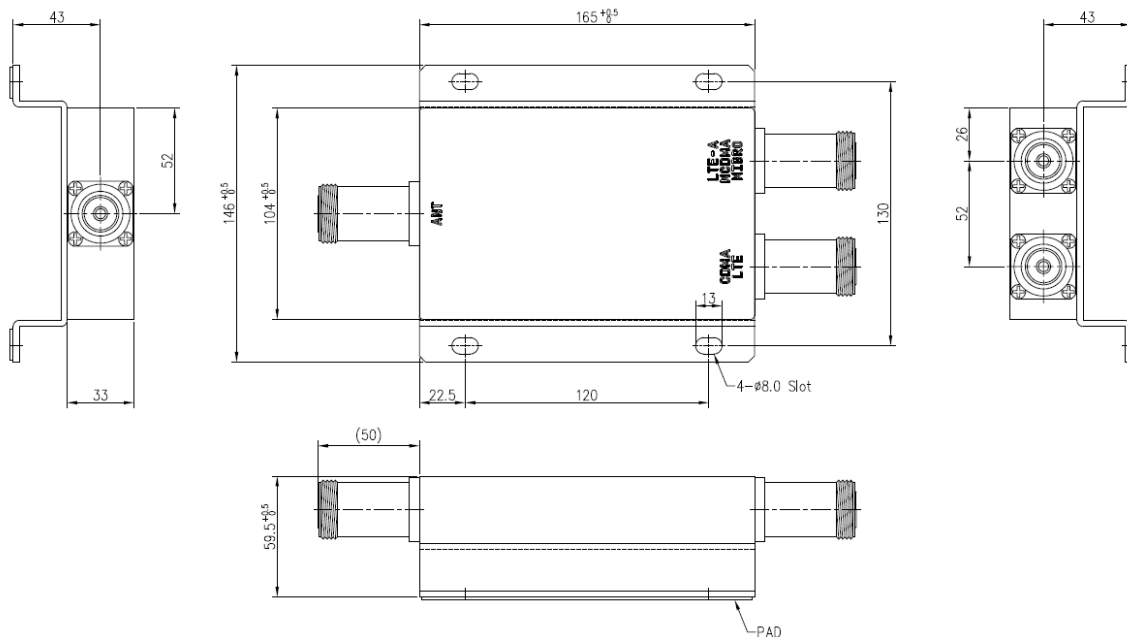


Electrical Specification

No.	Parameter	Unit	Specification			
			CDMA	LTE-800MHz	LTE-A 1800MHz	WCDMA/WiMax
1	Frequency Range	MHz	824~829	829~839	1715~1860	1930~2150
			869~874	874~884		2300~2330
2	Passband Bandwidth	MHz	5	10	145	220/30
3	Insertion Loss in Passband	dB	0.3 max			
4	Return Loss in Passband	dB	18.0 min			
5	Isolation	dBc	40 min Tx/Rx			
6	Passive IMD	dBc	2nd: 150 min @ LTE-800, 3rd: 150 min @ CDMA, LTE-A-1800, WCDMA/WiMax (43dBm, 2-Tone Input)			
7	Input Power	W	200 max			
8	IN/OUT Impedance	Ω	50			
9	Operating Temp. Range	$^{\circ}\text{C}$	-30 ~ +60			
10	Relative Humidity	%	5 ~ 95			

Dimension (Unit: mm)




Plots

