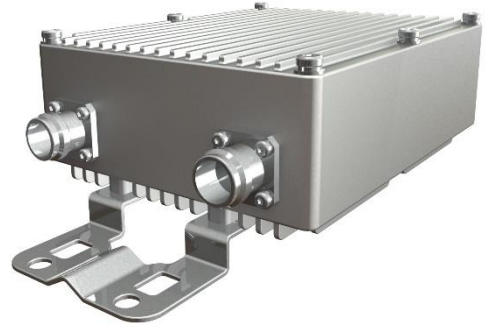


# Product Specification



## Hybrid Combiner Series

- Broadband - Covers 600 MHz to 6000 MHz
- Combines 2 Inputs into a Single Output
- Low Insertion Loss
- Low PIM Device, -160 dBc
- IBWave Supported

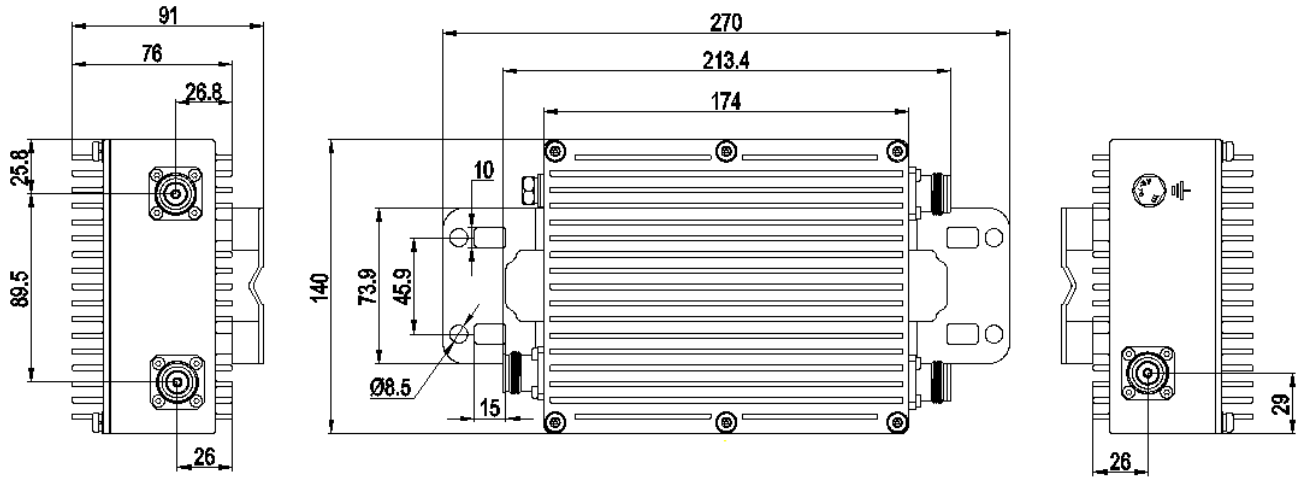


Model Number	HC2X1
<b>Electrical</b>	
Frequency Range (MHz)	600-6000
Insertion Loss (dB)	3.2±1.2
Port Isolation (dB)	≥22
Return Loss (dB)	≥18
3rd PIM (dBc)	≤-160@2x43dBm
Average Power (W)	≤200
Impedance (Ω)	50
Connector Type	4.3-10 Female
<b>Mechanical</b>	
Dimension (mm)	174x140x76 (6.86x5.51x2.99in)
Weight (kg)	2.5
Ingress Protection	IP66 (Outdoor)
Finish	Grey
<b>Environmental</b>	
Operating Temp. (°C)	-20 ~ +65
Storage Temp. (°C)	-40 ~ +75
Humidity	≤95%

### Connector Options Available

- 4.3-10.0 Female (Add -43F to Model Number)
- 7-16 DIN Female (Add -DF to Model Number)

# Product Specification



Hybrid Coupler, 2x1 – Model Number HC2X1