

### Features

- Compact Size
- TNC Connectors
- High Q

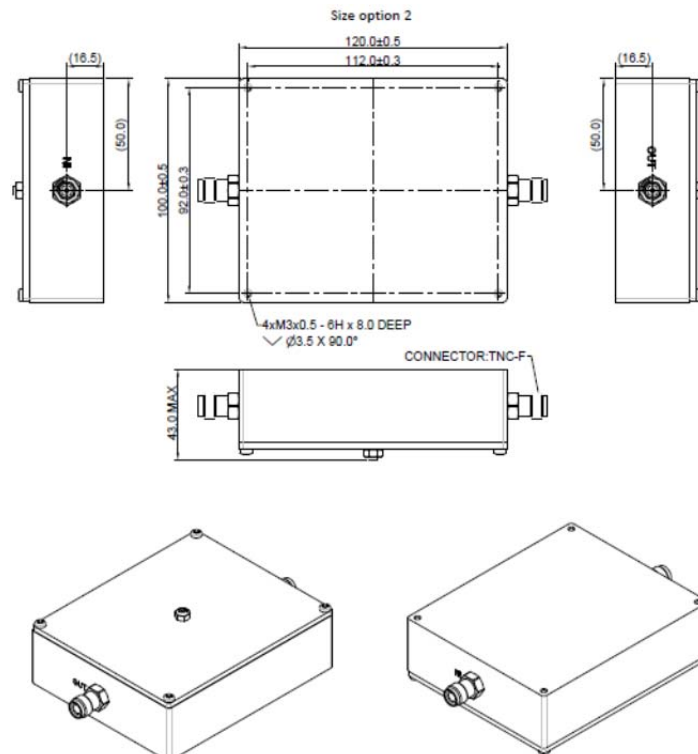
### Descriptions

TNC connector compact cavity notch filter developed for L band applications

### Electrical Specifications

Parameter	Unit	Specification
Reject Band Frequency	MHz	1257 ~ 1535
Passband Frequency Range	MHz	1156 ~ 1252
		1540 ~ 1610
Insertion Loss in Passband	dB	3.0 max
Return Loss in Passband	dB	14.0 min
Attenuation at Reject Band	dB	35 min @ 1257 ~ 1535MHz
Group Delay in Passband (absolute)	nS	200 max
In/Out Impedance	Ohm	50
Operating Input Power	Watts	5 CW max
Operating Temperature Range	°C	-10 ~ +65
Dimensions	mm	120 x 100 x 43 (L x W x H)
Connectors	-	TNC-female

### Mechanical Drawings



## Electrical Response

