

Features

- High Q, Low Insertion Loss
- High Rejection
- Compact Size
- High Power handling

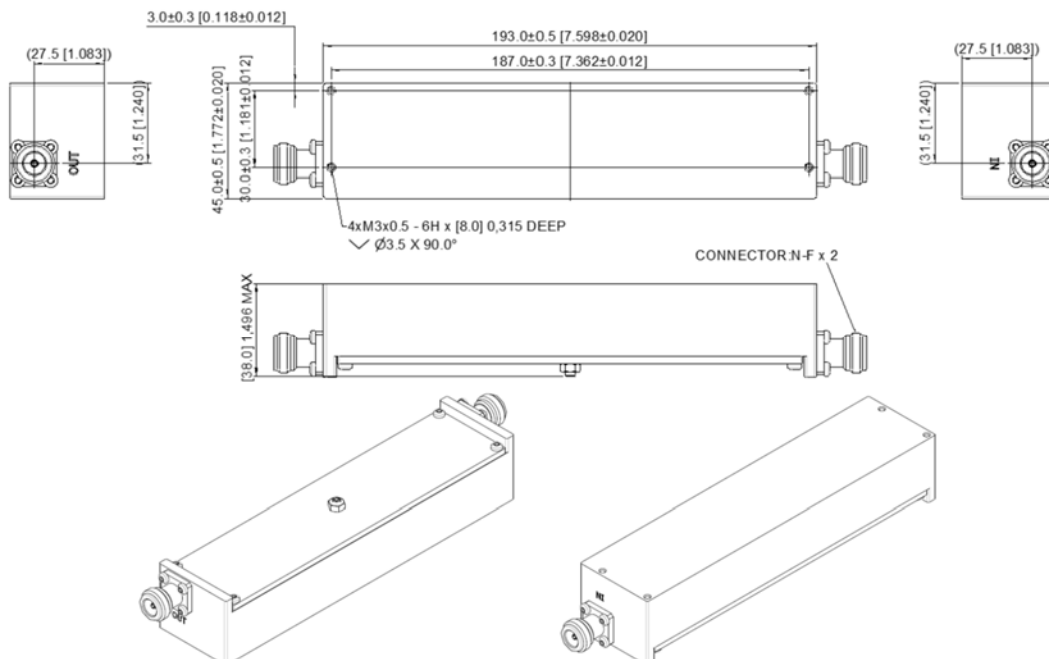
Descriptions

N connector mount cavity band reject filter developed for GPS L1 band applications.

Electrical Specifications

Parameter	Unit	Specification
Center Frequency of Notch	MHz	1575.4375
Passband Frequency Range	MHz	1428~1452
Insertion Loss in Passband	dB	≤0.5
Passband Ripple	dB	≤0.35
Return Loss in Passband	dB	13.0 min
Attenuation at Rejection Band	dB	≥50 @1568MHz ~ 1582.875MHz
Power Handling	Watts	≥20 Avg. (100W peak)
In/Out Impedance	Ω	50
Operating Temperature	oC	-40 ~ +85
Connectors	-	N(Female)
Dimensions	mm	193 x 45 x 38 (L x W x H)

Mechanical Outline Drawing (mm)



Electrical Response

