

Features

- Low Insertion Loss
- High Rejection
- Compact Size
- Wide Pass Band

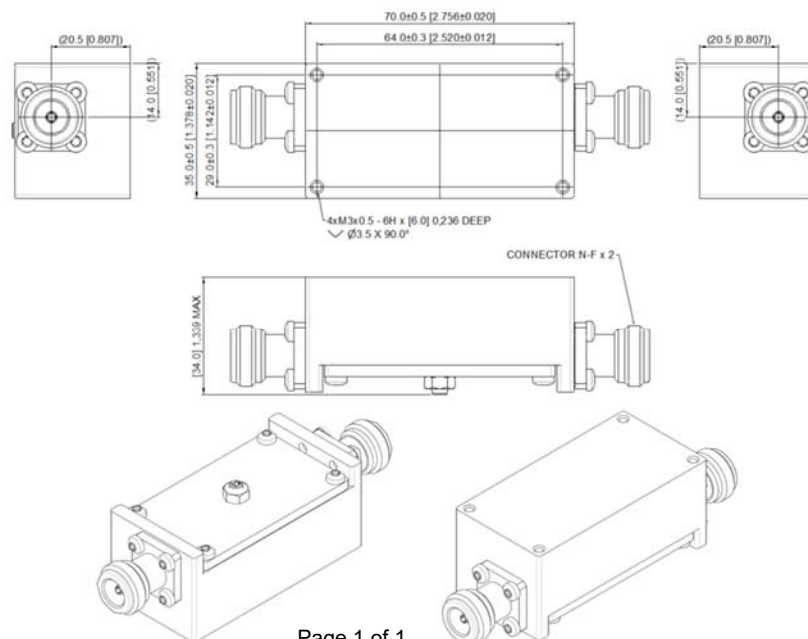
Descriptions

High power N connector mount cavity band reject filter developed to reject 2.45 GHz ISM band signal applications.

Electrical Specifications

Parameter	Unit	Specification
Center Frequency of Rejection Band	MHz	2450
Rejection Band Frequency	MHz	2425 ~ 2475
Passband Frequency Range	MHz	DC~ 2395 & 2500 ~ 7500
Insertion Loss in Passband	dB	2.0 max
Passband Return Loss	-	12 min; 15 typ.
Attenuation at Rejection Band	dB	40 min; 50 typ.
Power Handling	W	200 CW max
In/Out Impedance	Ω	50
Operating Temperature	$^{\circ}\text{C}$	+10 ~ +40
Connectors	-	N-female
Dimensions	mm	70 x 35 x 34 (L x W x H)
RoHS	-	Compliant

Mechanical Outline Drawing (mm)



Page 1 of 1