

Product Specification



TERMINATIONS, LOW POWER

- Broadband - Covers DC MHz to 6000 MHz
- Power Levels from 2W to 20W
- IBWave Supported

Electrical Specifications

FREQUENCY RANGE

DC - 6000 MHz

RETURN LOSS

22 dB Min

ClearComm Model Number	Power Handling	Connector
CCTM-010	2W Avg. / 250W Peak @ 25°C	7/16 DIN Male, 4.3/10.0 Male
CCTM-011	2W Avg. / 250W Peak @ 25°C	Type 'N' Male
CCTM-012	5W Avg. / 1kW Peak @ 25°C	7/16 DIN Male, 4.3/10.0 Male
CCTM-013	5W Avg. / 1kW Peak @ 25°C	Type 'N' Male
CCTM-014	10W Avg. / 1kW Peak @ 25°C	7/16 DIN Male, 4.3/10.0 Male
CCTM-015	10W Avg. / 1kW Peak @ 25°C	Type 'N' Male
CCTM-016	20W Avg. / 1kW Peak @ 25°C	7/16 DIN Male, 4.3/10.0 Male
CCTM-017	20W Avg. / 1kW Peak @ 25°C	Type 'N' Male

Environmental Specifications

TEMPERATURE RANGE

-20 to +65°C Operating

WEATHERIZATION

IP-67

Mechanical Specifications

CONNECTORS

4.3/10.0, Nex10, 7/16 DIN, Type 'N'

DIMENSIONS

See Outlines

MCV Microwave

Tel: +1(302)877-8079

Web: www.mcv-microwave.com

MCV Microwave

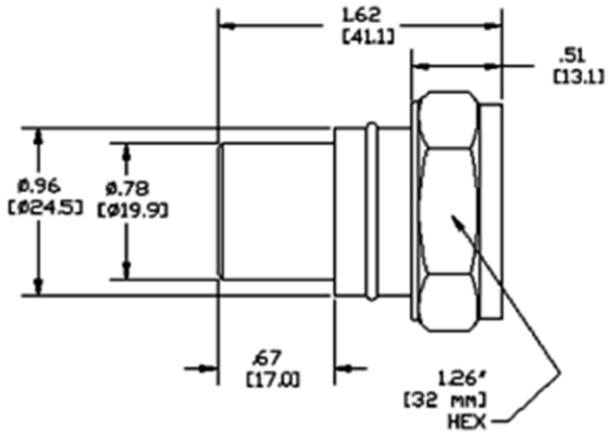
Clearly the Choice!

11307 Trussum Pond Road

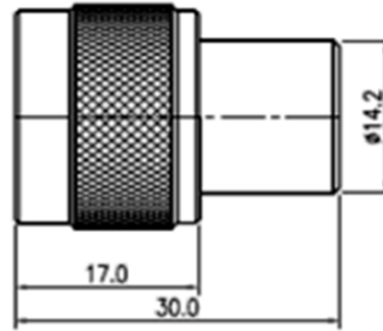
Laurel, DE 19956

[Mailto: sales@mcv-microwave.com](mailto:sales@mcv-microwave.com)

Product Specification

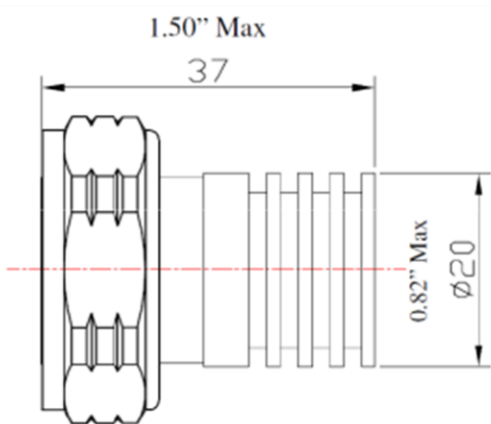


OUTLINE CCTM-010 (DIN)

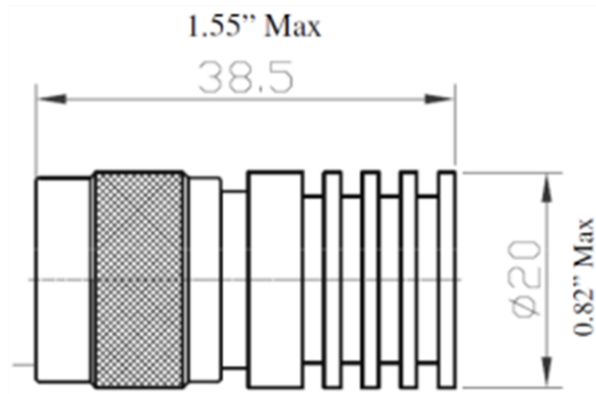


CCTM-011 (Type 'N')

2 Watt TERMINATIONS



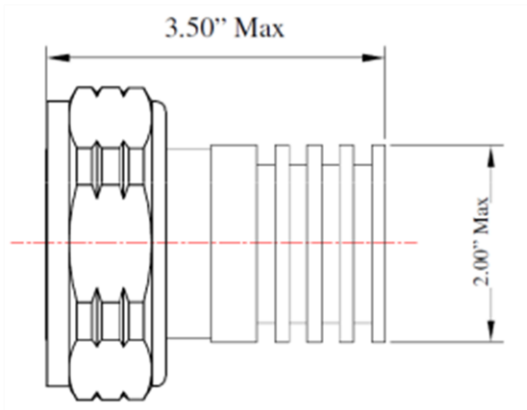
OUTLINE CCTM-012 (DIN)



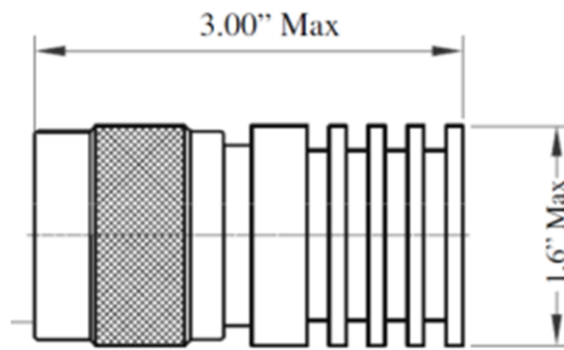
CCTM-013 (Type 'N')

5 Watt TERMINATIONS

Product Specification

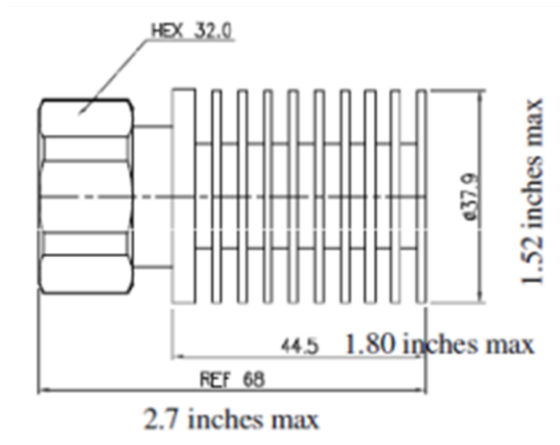


OUTLINE CCTM-014 (DIN)

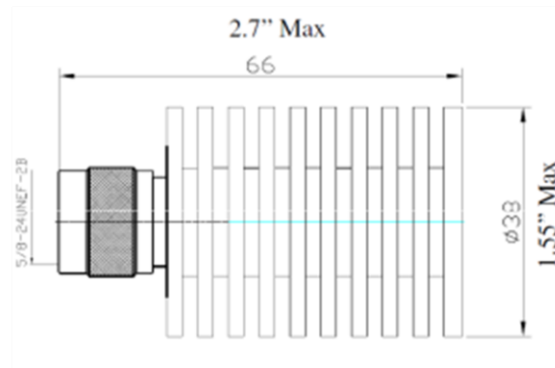


CCTM-015 (Type 'N')

10 Watt TERMINATIONS



OUTLINE CCTM-016 (DIN)



CCTM-017 (Type 'N')

20 Watt TERMINATIONS