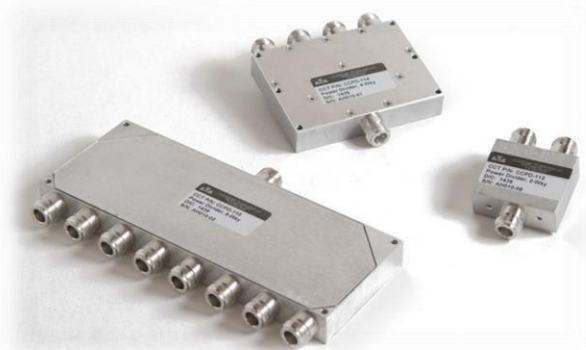


Product Specification



WILKINSON POWER DIVIDERS

- Broadband - Up To 5850 MHz
- Low Insertion Loss
- Low PIM Device, -153 dBc
- 2, 3, 4 and 8 Way Dividers
- IBWave Supported

Electrical Specifications

FREQUENCY RANGE 380-2700 MHz

ClearComm Model Number	Number of Outputs	Return Loss Input	Return Loss Outputs	Insertion Loss	Split Loss	Isolation
CCPD-112 Series	2	18 dB Max.	21 dB Max.	0.5 dB Max.	3.0 dB	22 dB Min.
CCPD-113 Series	3	18 dB Max.	18 dB Max.	0.4 dB Max.	4.8 dB	20 dB Min.
CCPD-114 Series	4	18 dB Max.	18 dB Max.	1.4 dB Max.	6.0 dB	20 dB Min.
CCPD-115 Series	8	12 dB Max.	18 dB Max.	1.4 dB Max.	9.0 dB	20 dB Min.

FREQUENCY RANGE 380-5850 MHz

ClearComm Model Number	Number of Outputs	Return Loss Input	Return Loss Output.	Insertion Loss	Split Loss	Isolation.
CCPD-124 Series	2	16 dB Max.	16 dB Max.	1.0 dB	3.0 dB	22 dB Min.
CCPD-126 Series	4	12 dB Max.	16 dB Max.	2.1 dB	6.0 dB	17 dB Min.

COMMON SPECIFICATIONS

POWER RATING	30W Avg. with 3:1 Max Load on All Ports
REVERSE POWER RATING	1.75W Avg.
PASSIVE INTERMODS	-153 dBc
DC CONTINUITY	Thru Line

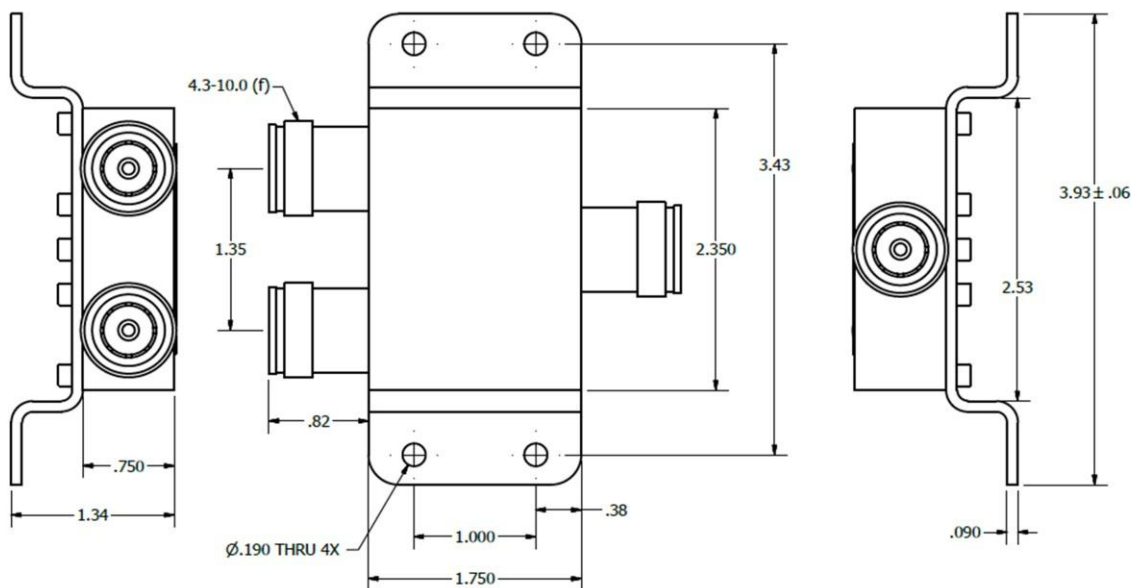
Environmental Specifications

TEMPERATURE RANGE	-20 to +65°C Operating
WEATHERIZATION	IP-65

Product Specification

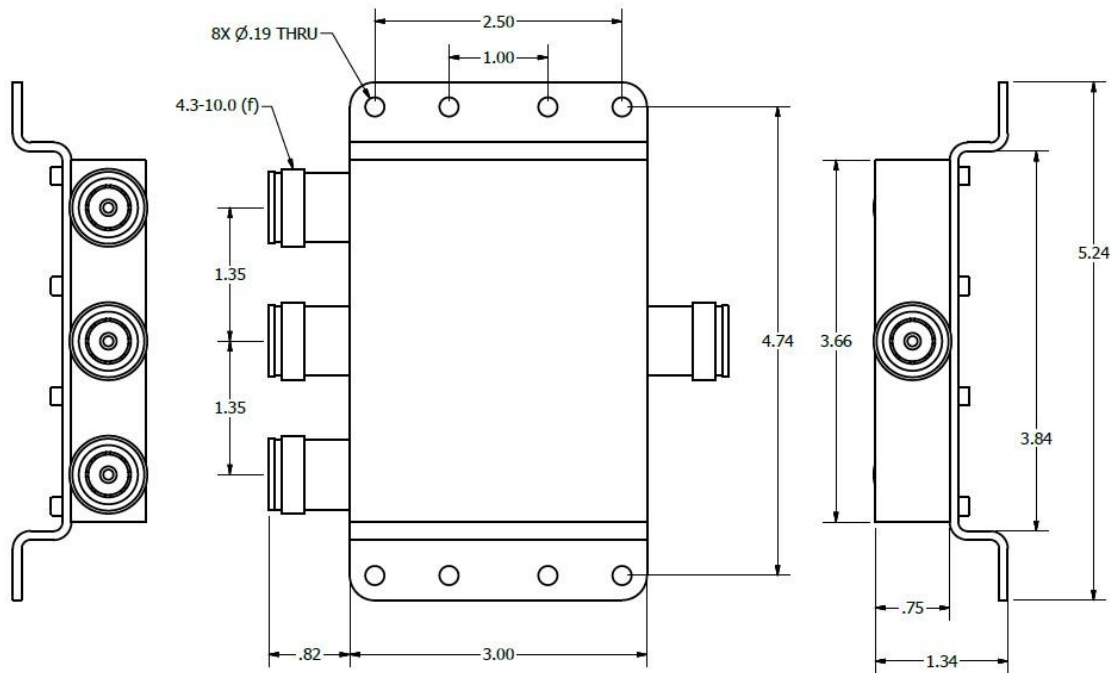
Mechanical Specifications

CONNECTORS	4.3/10.0, Type 'N' (QMA and SMA Versions also available) 7/16 DIN Available of CCDP-124 and CCDP-126 Series
DIMENSIONS	See Outlines
WEIGHT	CCPD-112 Series, 0.4 lbs. CCPD-113 Series, 0.8 lbs. CCPD-114 Series, 1.2 lbs. CCPD-115 Series, 1.8 lbs. CCPD-124 Series, 0.8 lbs. CCPD-126 Series, 1.5 lbs.

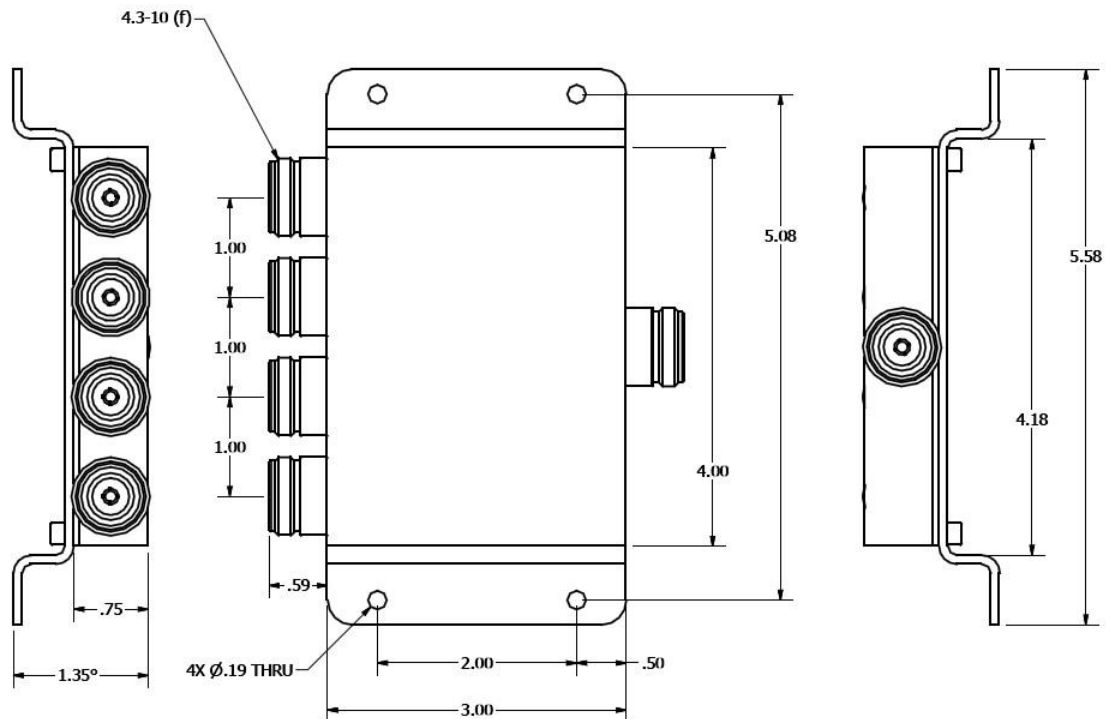


OUTLINE CCDP-112 (Shown with 4.3/10.0 Connectors)

Product Specification

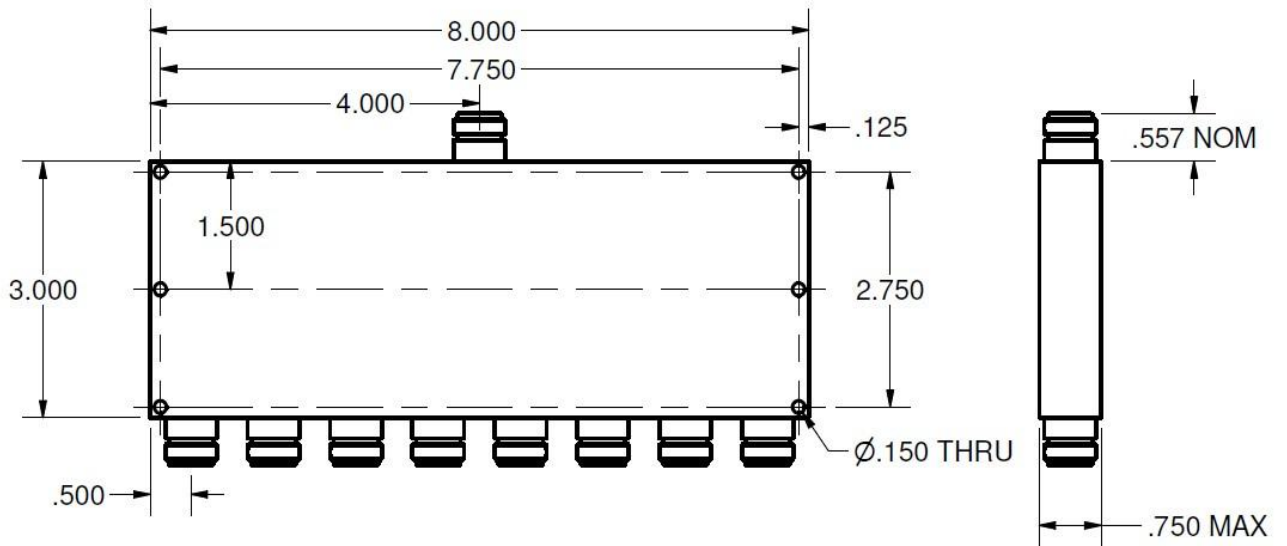


OUTLINE CCPD-113 (Shown with 4.3/10.0 Connectors)

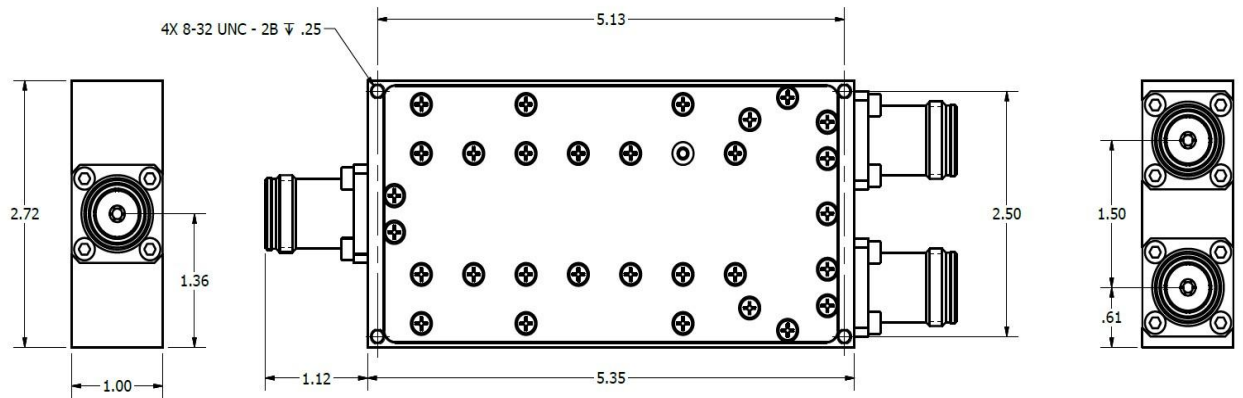


OUTLINE CCPD-114 (Shown with 4.3/10.0 Connectors)

Product Specification

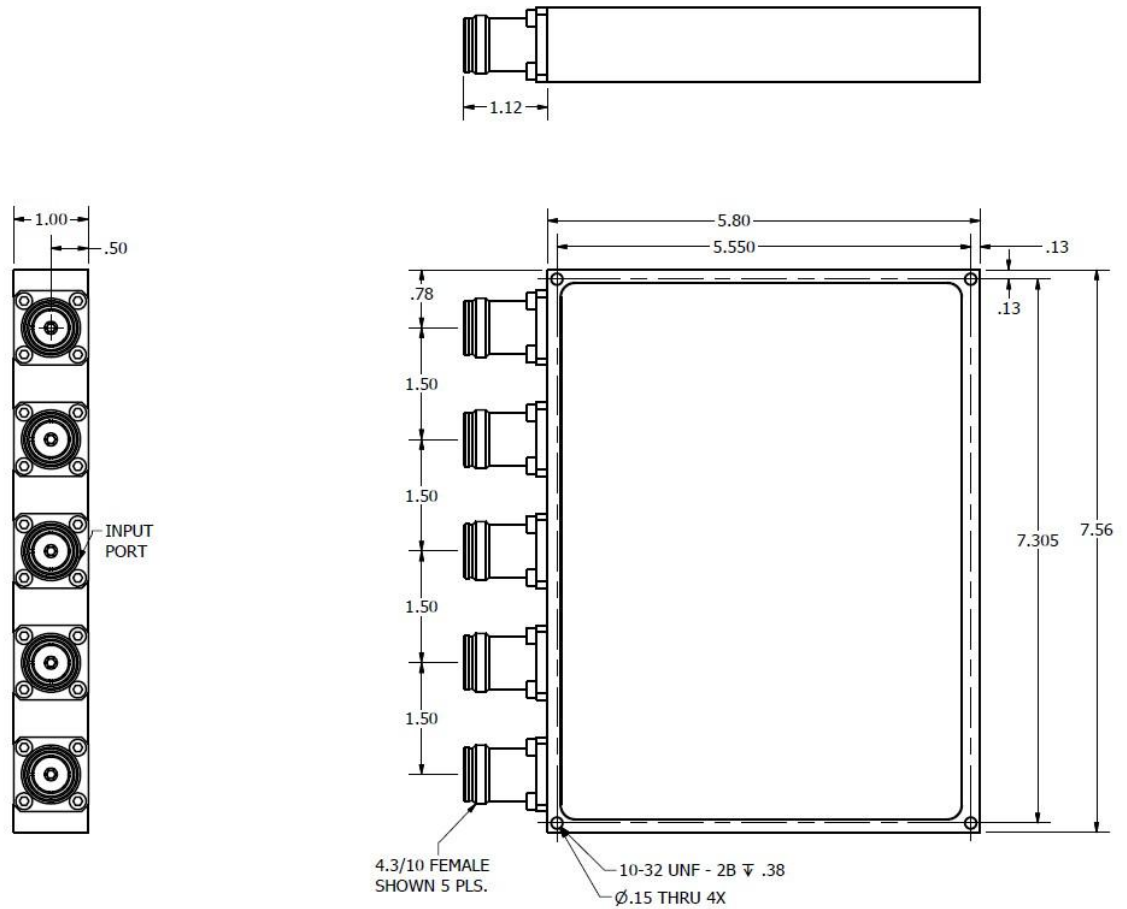


OUTLINE CCPD-115 (Shown with 4.3/10.0 Connectors)



OUTLINE CCPD-124 (Shown with 4.3/10.0 Connectors)

Product Specification



OUTLINE CCPD-126 (Shown with 4.3/10.0 Connectors)